

BLOCKS- OVERHEAD CRANE



OVERHEAD BRIDGE CRANE BLOCKS

**Wide capacity range, made to application,
new or replacement**

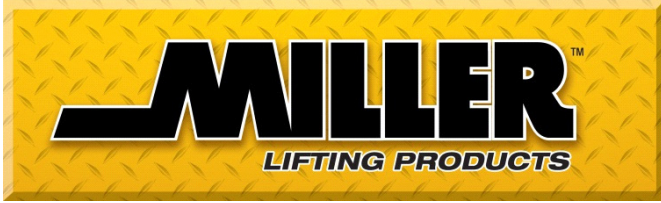
- Working loads from 15 tons to 300 tons
- Design factor 4:1 and up per specification
- All CMAA service classes (also FEM, DIN, ISO)
- Hooks are forged alloy in accord with DIN 15041 or 15402, single or duplex on thrust bearing and crosshead
- Hook lock or motorized hook available
- Fabricated, roll-formed or cast sheaves with roller bearings or bronze bushings
- Optional lubrication through sheave shaft
- Heavy duty sheave guards
- Optional slotted covers over sheaves
- Special configurations, sheave spacings
- Optional insulated hook



*See next page
for
Quote Request
form...*



BLOCKS- OVERHEAD CRANE



OVERHEAD CRANE BLOCKS QUOTE REQUEST

Requestor

Name: _____ Date: _____ Quantity _____

Company: _____ Address: _____

City: _____ State: _____ Zip: _____

Phone: _____ E-mail: _____

SHEAVES

NUMBER OF SHEAVES: _____ OUTSIDE DIAMETER: _____ WIRE ROPE SIZE: _____

SHEAVE BUSHINGS

BRONZE BUSHING _____ ROLLER BEARING _____

BLOCK CAPACITY & DIMENSIONS, WEIGHT

DIMENSIONS: A _____ B _____ C _____

WORKING CAPACITY (LOAD LIMIT) _____
(INDICATE US / METRIC TONS)

DESIGN FACTOR _____

OVERHAUL WEIGHT _____

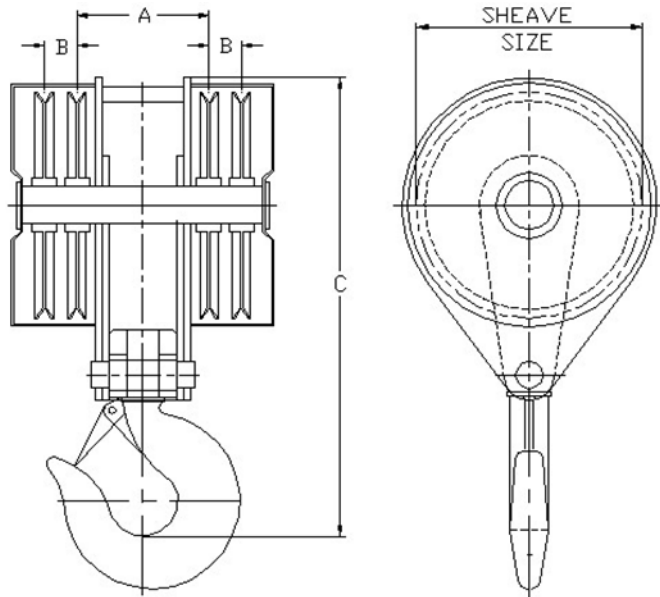
HOOK / FITTING TYPE

HOOK _____ SINGLE _____ DOUBLE _____

LOCKING HOOK _____

MOTORIZED HOOK _____

OTHER FITTINGS _____



OTHER REQUIREMENTS

CMAA SERVICE CLASS: _____

SPECIAL TESTING, THIRD PARTY INSPECTION,
ETC: _____

Miller Lifting Products

100A Sturbridge Rd.

Charlton, MA USA 01507

Tel.: (508) 248-3941 / Fax: (508) 248-0639

E-mail: sales@millerproducts.net

www.millerproducts.net